

Tire Bead Wire ASTM-D-1871

DESCRIPTION

Bead wire is used as a reinforcement in radial and conventional tires. National Standard tire bead wire has excellent adhesion to rubber and superior mechanical characteristics.

STANDARDS

ASTM-D-1871
Customer requirements

GRADES

High Tensile Strength
Regular Tensile Strength

USES

- Used in manufacturing:
- Regular and radial tires for cars, bikes and trucks
 - Air supports
 - High-pressure hose
 - Flexible duct

ADVANTAGES

- High tensile strength as well as high ductility (elongation)
- Special packaging to protect against corrosion and increase shelf life
- Straightness: wire maintains straightness after uncoiling and contains no residual torsion stress
- Manufactured and packaged to customer specifications in an ISO:2008 facility

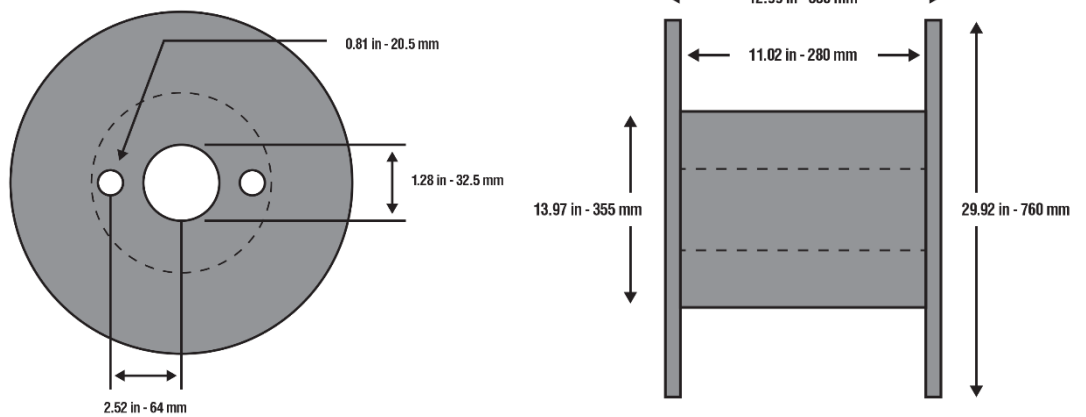
WIRE DIAMETERS

in	mm
0.035	0.89
0.038	0.96
0.051	1.30
0.062	1.55
0.063	1.59
0.072	1.83
0.080	2.03

Other diameters and grades available per customer requests

PACKAGING

Steel reels: 1,000 lbs (453 kg)
Reeless cores: 1,000 lbs (453 kg)



Wire	Diameter	Breaking Strength	Elongation
.038HT	0.038 in. +/- 0.001 in.	344 lb. Min.	5.0% Min. 10 in.
.051HT	0.051 in. +/- 0.001 in.	630 lb. Min.	
.062HT	0.062 in. +/- 0.001 in.	900 lb. Min.	
.072REG	0.072 in. +/- 0.0015 in.	1065 lb. Min.	
.080REG	0.080 in. +/- 0.0015 in.	1215 lb. Min.	

